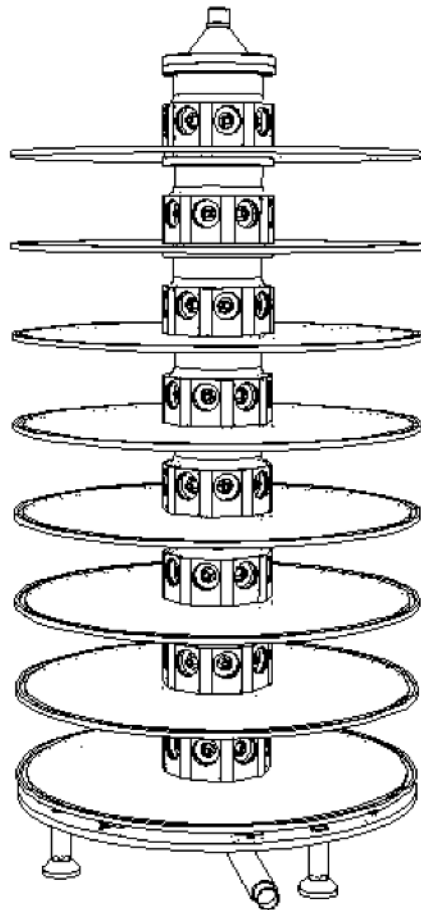


# Inhalation Tower IH8

Assembly instructions

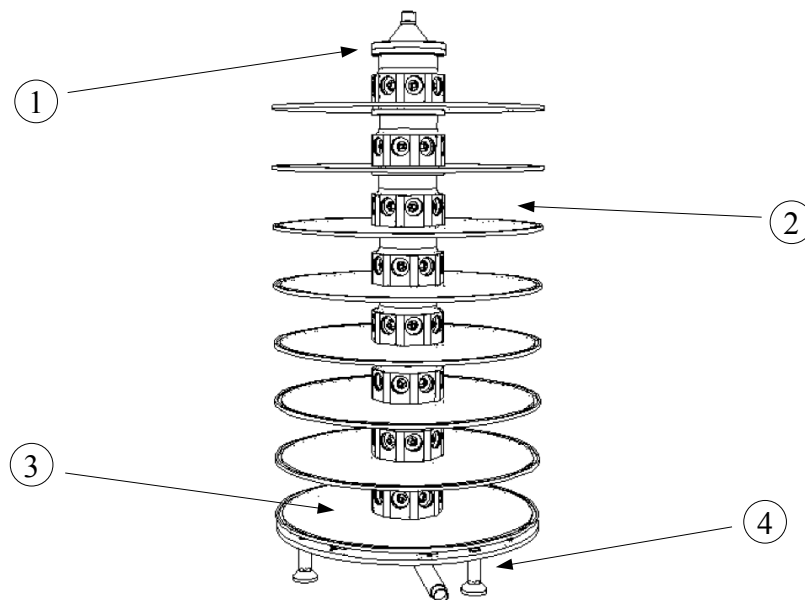


## Table of Contents

1. Hardware overview.....	3
2. Assembly instructions.....	4
2.1 Base stand.....	4
2.2 Houses.....	5
2.3 Bottom level.....	6
2.4 Top flange.....	7
2.5 Level sections.....	8
2.6 Final assembly.....	9
2.7 Cleaning.....	9
3. Contact.....	10

## 1. Hardware overview

In the picture below the main components of the inhalation tower IH8 are presented.



- |                  |                 |
|------------------|-----------------|
| 1. Top level     | 3. Bottom level |
| 2. Level section | 4. Base stand   |

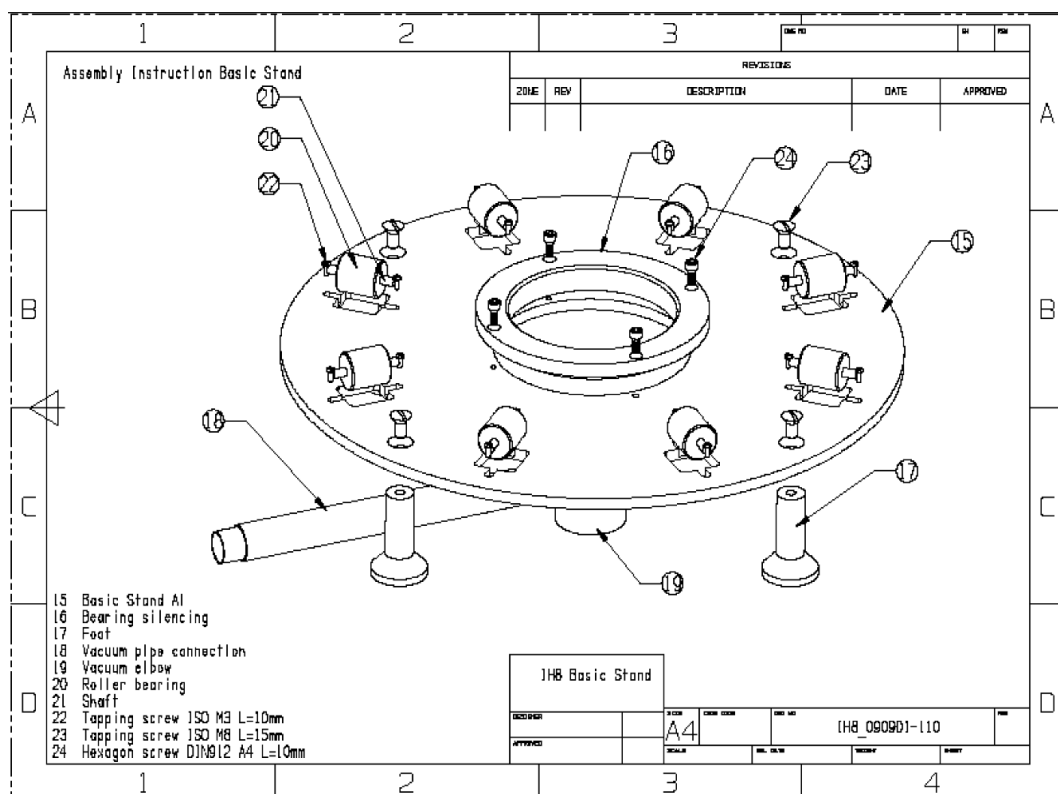
## 2. Assembly instructions

Please read the instructions carefully before assembling the inhalation tower IH8!

**TO AVOID SCRATCHING THE SURFACE, DO NOT WEAR WATCHES, RINGS, OR BRACELETS. LONG FINGERNAILS SHOULD BE COVERED WITH SOFT PROTECTIVE GLOVES!**

### 2.1 Base stand

Start by assembling the base stand according to the drawing below. The base stand may come pre-assembled!

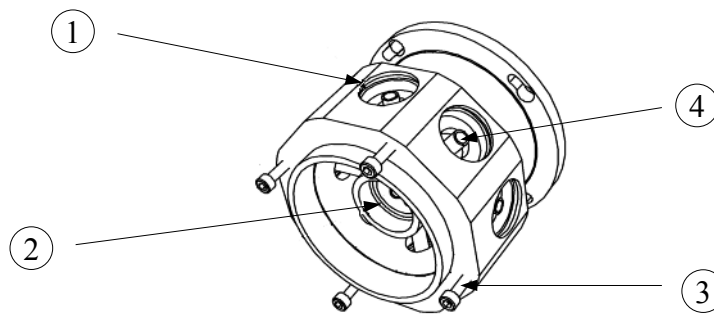


## 2.2 Houses

Pre-assemble the M5x20 screws and place the 28,25x2,62 o-rings in each of the eight container holes.

Fasten the delivery pipes in the middle of each delivery hole and place the 29,87x1,78 o-ring in the inner pipe.

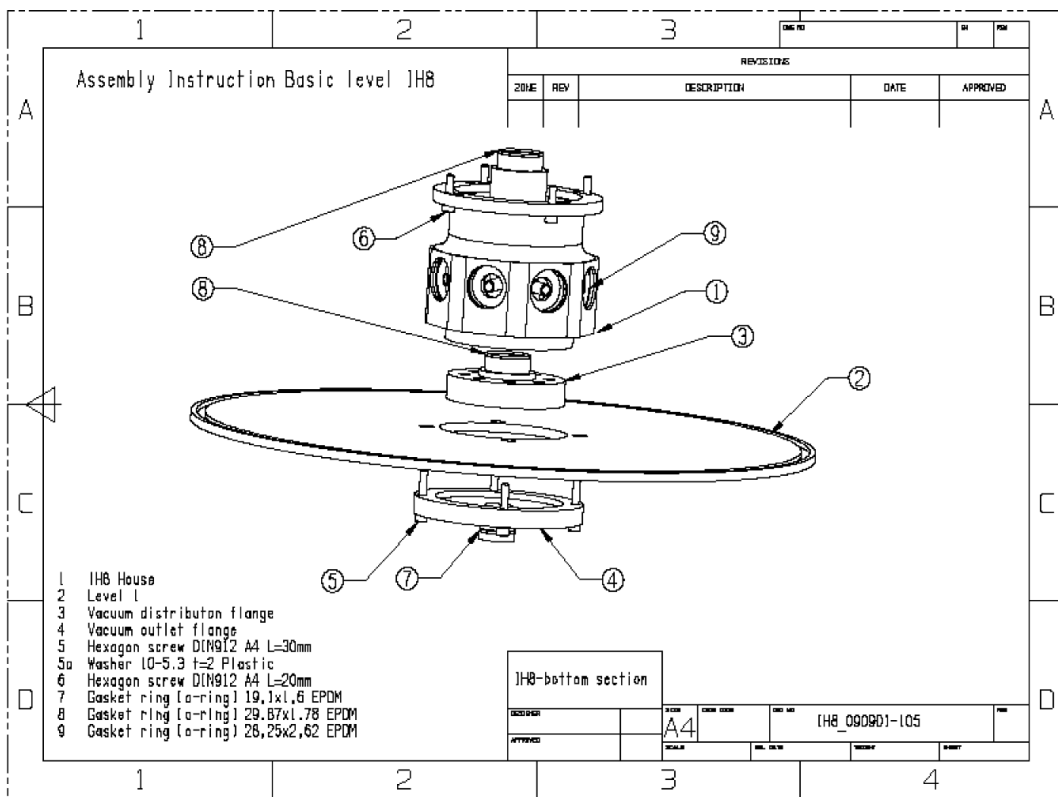
 **NOTE! For the bottom level, use the M5x30 screws and DO NOT pre-assemble!**



- |                        |                                         |
|------------------------|-----------------------------------------|
| 1. O-ring (28,25x2,62) | 3. M5x20 screw (M5x30 for bottom level) |
| 2. O-ring (29,87x1,78) | 4. Delivery pipe                        |

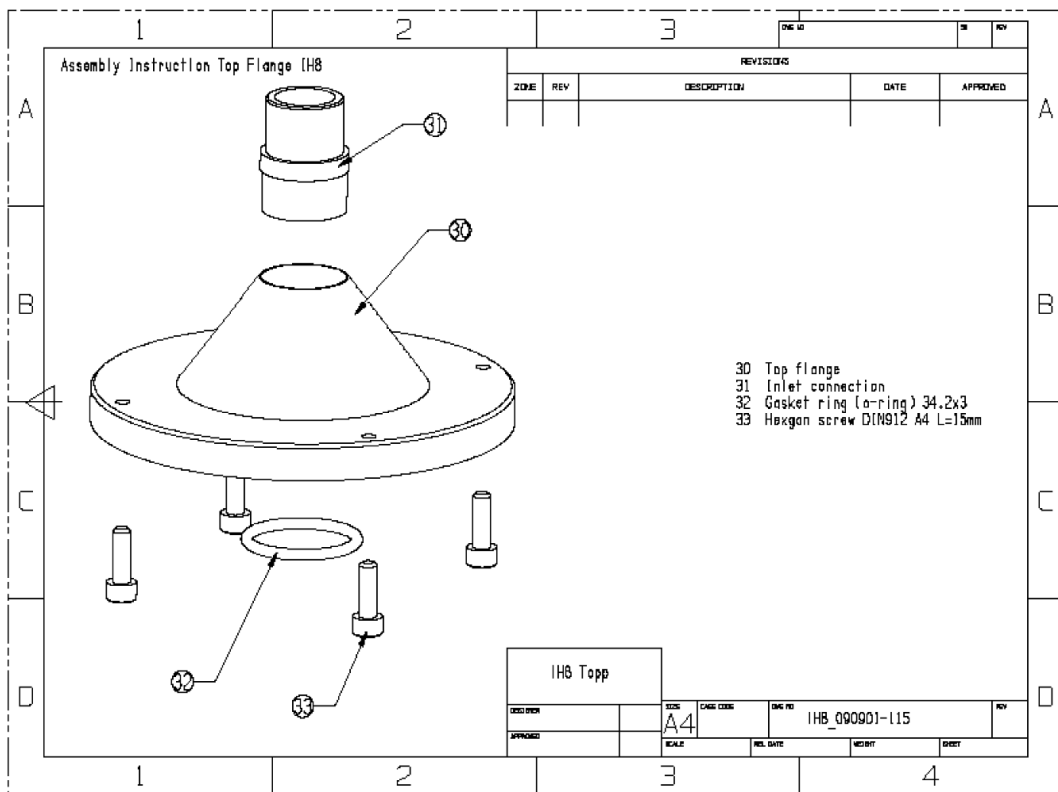
## 2.3 Bottom level

Next, assemble the bottom level...



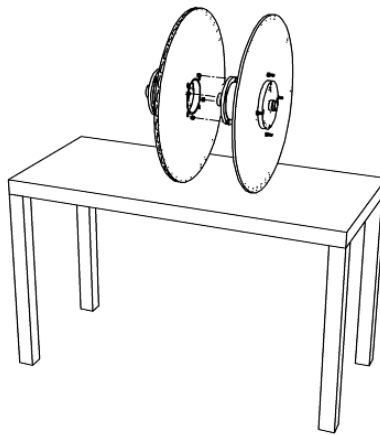
## 2.4 Top flange

... and then the top flange.

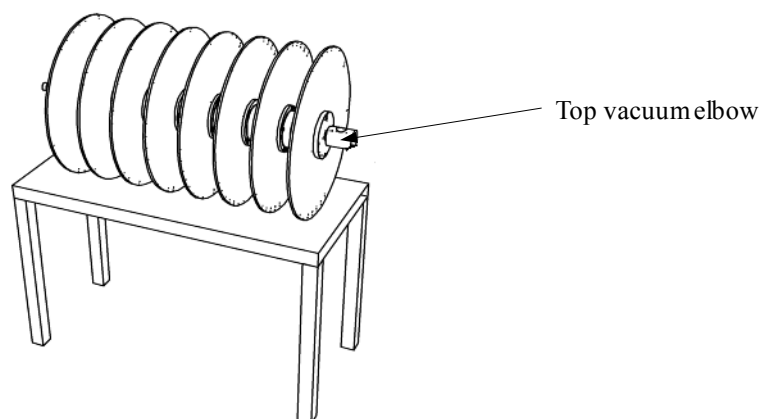


## 2.5 Level sections

Place the inhalation tower on its side and assemble the bottom level and the first level.

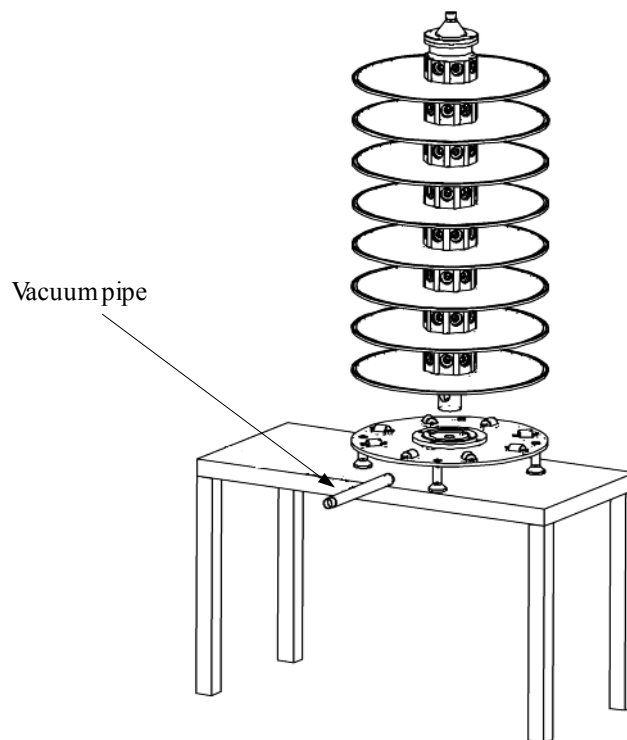


Continue with the rest of the levels and fasten the top vacuum elbow.



## 2.6 Final assembly

Finally, place the tower levels in the base stand and fasten the vacuum pipe.



## 2.7 Cleaning

When cleaning the IH8 inhalation tower, don't use any basic cleaners. Disassemble the inhalation tower and clean the components carefully.

**TO AVOID SCRATCHING THE SURFACE, DO NOT WEAR WATCHES, RINGS,  
OR BRACELETS. LONG FINGERNAILS SHOULD BE COVERED  
WITH SOFT PROTECTIVE GLOVES!**

### 3. Contact

**Address**

Promech Lab Holding AB  
Almviksvägen 41  
218 45 Vintrie  
Sweden

**Phone**

+46 40 154490

**Internet**

[www.promech.se](http://www.promech.se)  
[info@promech.se](mailto:info@promech.se)